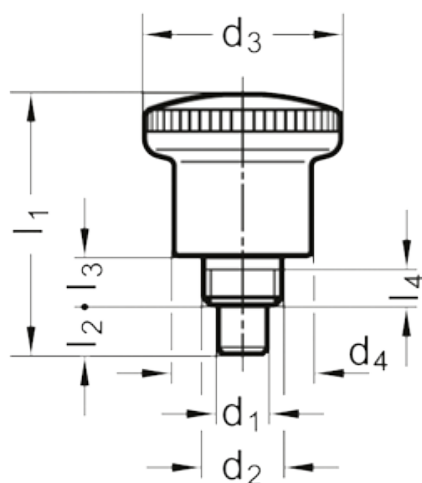


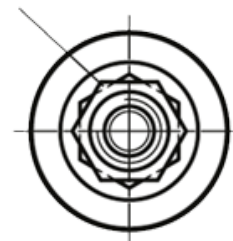
Article number: 202730021

Description: E+G  
Indexing plunger GN 822-6-C-NI

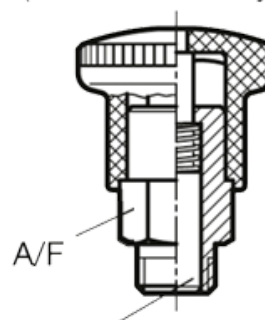
## Measures



6 indexing positions



Type C  
(Knob rotated by 30°)



Plunger pin  
retracted

A/F	= 12	l4 min.	= 4.5
d1	= 6	Spring load end	= 18
d2	= M 10 x 1	Spring load initial	= 5
d3	= 25	Weight in (g)	= 25
d4	= 18		
l1	= 34		
l2 min.	= 7		
l3	= 7		